

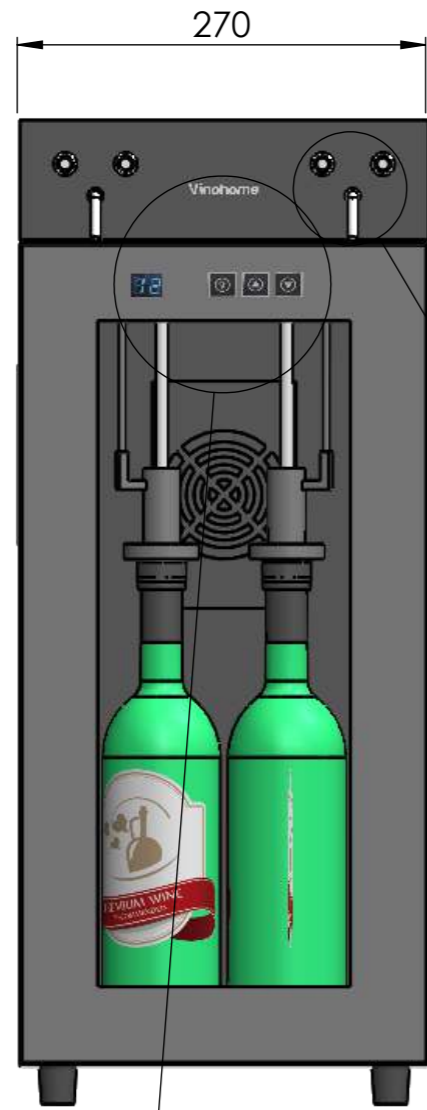


VH02NS

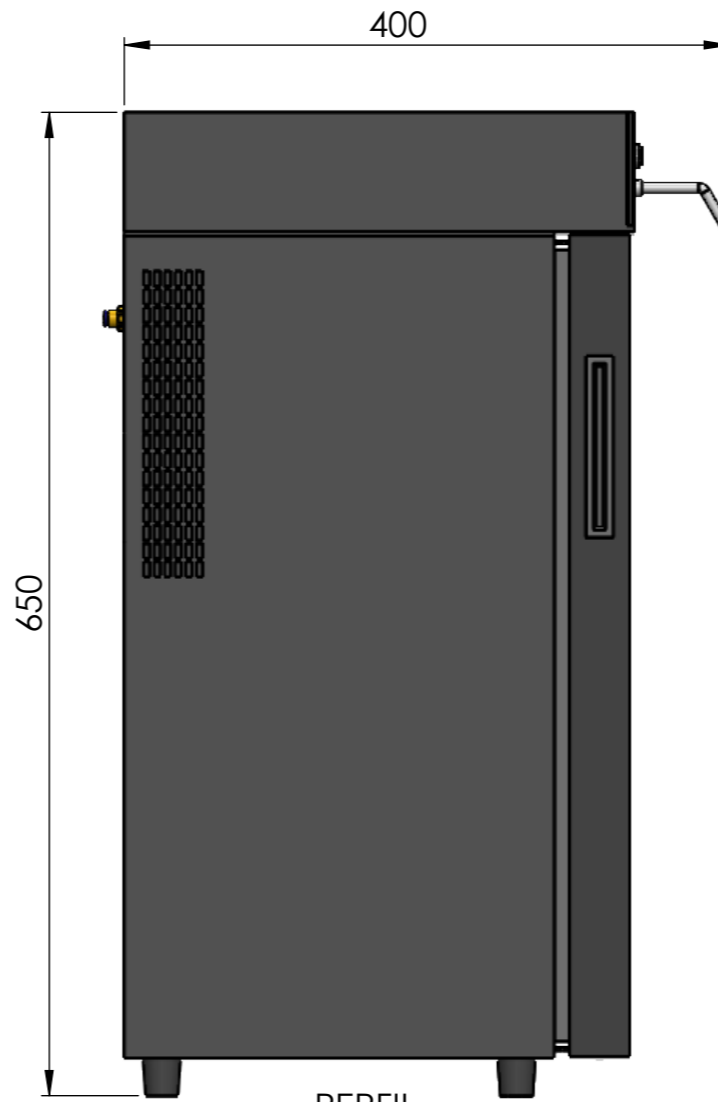
Vinoglass

THE INFORMATION CONTAINED IN THIS DRAWING IS THE SOLE PROPERTY OF VINOGLASS. ANY REPRODUCTION IN PART OR AS A WHOLE WITHOUT THE WRITTEN PERMISSION OF VINOGLASS IS PROHIBITED.

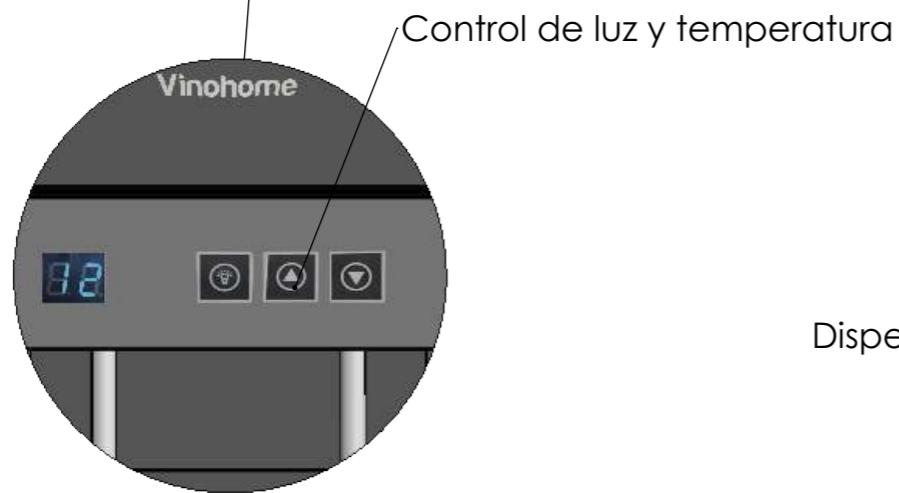
	Date	Name	<p>THE INFORMATION CONTAINED IN THIS DRAWING IS THE SOLE PROPERTY OF VINOGLASS. ANY REPRODUCTION IN PART OR AS A WHOLE WITHOUT THE WRITTEN PERMISSION OF VINOGLASS IS PROHIBITED.</p>	
Design:	03/12/2018	Diego		
Checked:		Diego		
Modified:		Diego		
Notes:	Scale: 1:10	Part name: VH02NS	Top assembly: VH02NS	Client:
		Description:	Dispensador para 2 botellas	
		Material:		
		Reference:	VH02NS	
		Count:		
Pages:	1 OF 4			



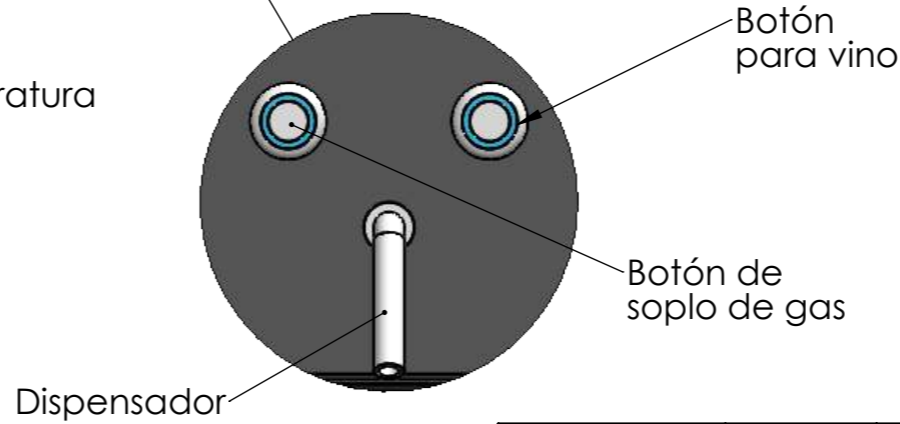
ALZADO



PERFIL



Control de luz y temperatura



Botón para vino

Botón de soplo de gas

Dispensador

DATOS TECNICOS	
Volumen	15L
Frecuencia	50-60hz
Consumo	0.56(15°C)
Voltaje	220/240-110/115V
Ruido	38db
Humedad interior	>70%RH
Sistema de frío	Termoeléctrico
Botellas	2
Peso	12.2kg
Rango de temperatura	8-18°C

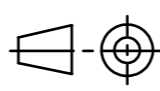
	Date	Name
Design:	03/12/2018	Diego
Checked:		Diego
Modified:		Diego

Vinoglass

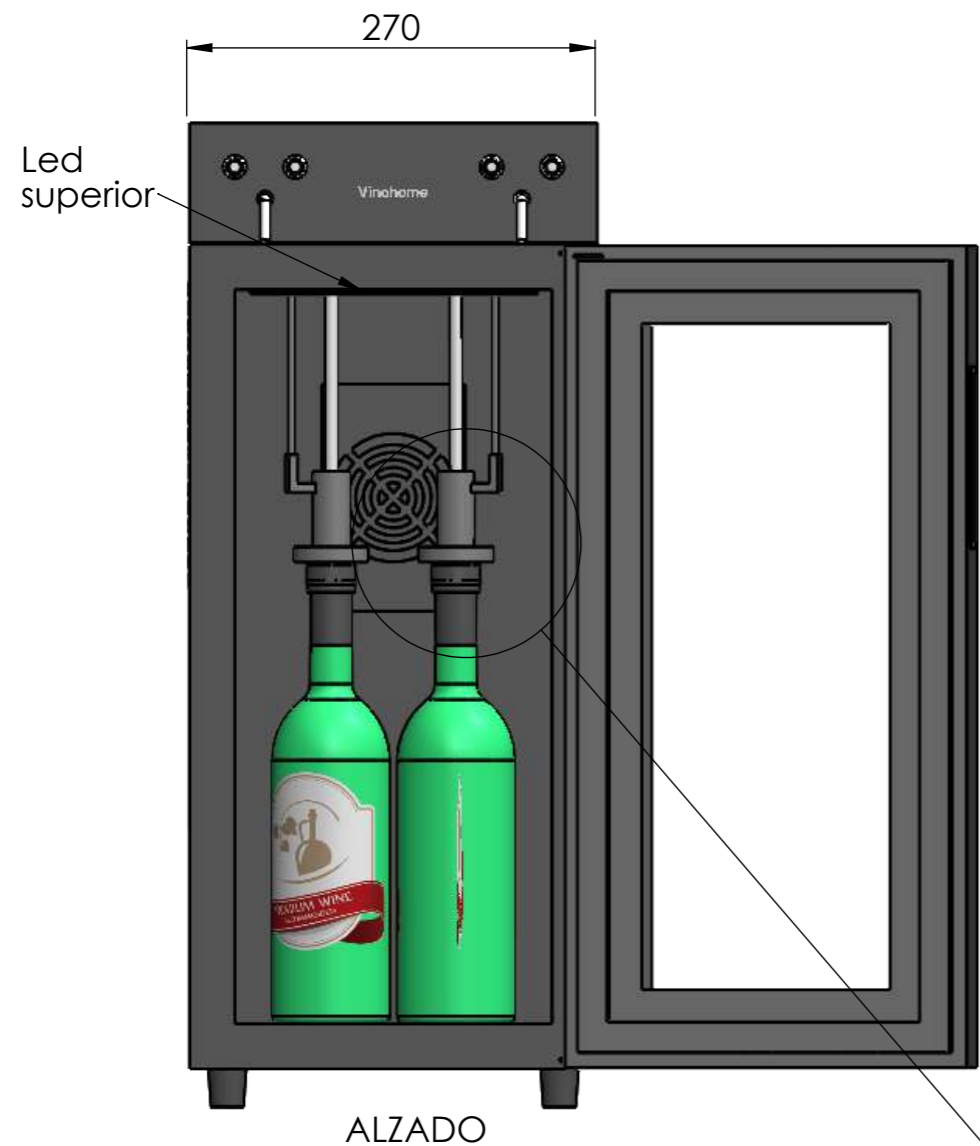
THE INFORMATION CONTAINED IN THIS DRAWING IS THE SOLE PROPERTY OF VINOGLASS. ANY REPRODUCTION IN PART OR AS A WHOLE WITHOUT THE WRITTEN PERMISSION OF VINOGLASS IS PROHIBITED.

Sign: _____

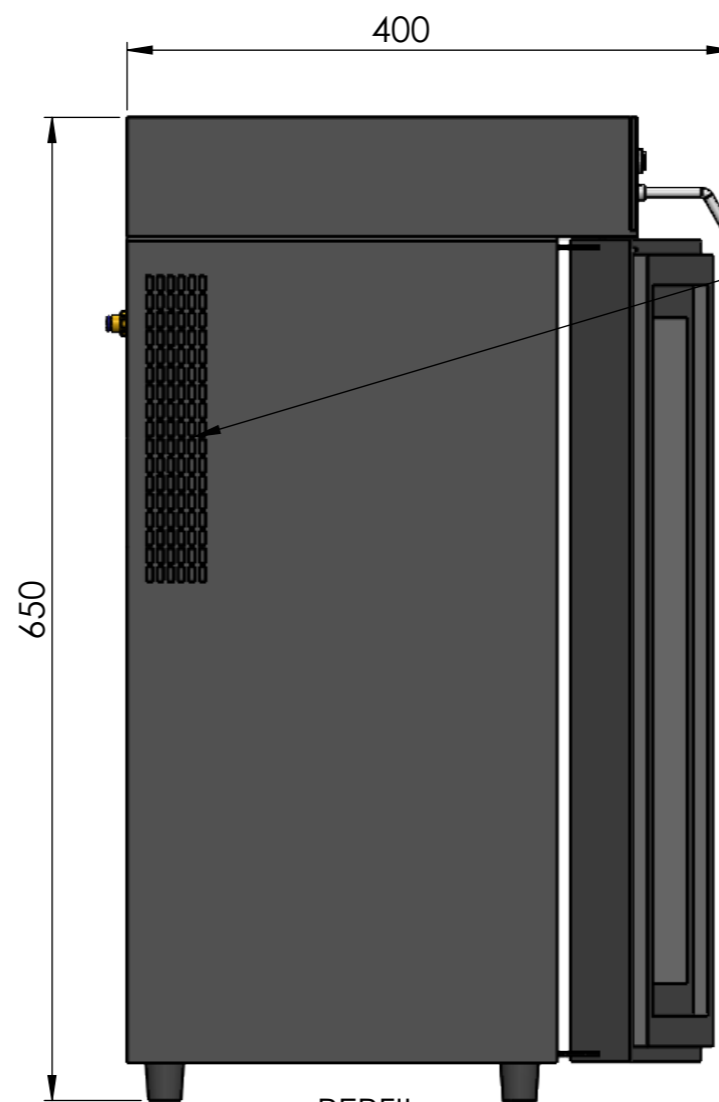
Scale: 1:10	Part name: VH02NS	Top assembly: VH02NS
Unit:		

Description:

 Dispensador para 2 botellas

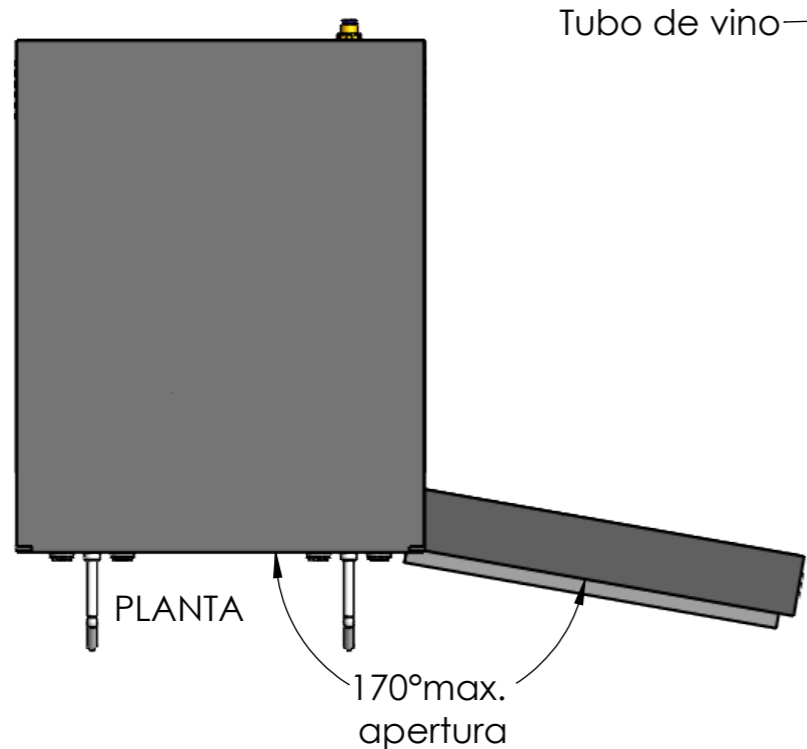
Client:
Material:
Reference: VH02NS
Count:
Pages: 2 OF 4



ALZADO



PERFIL



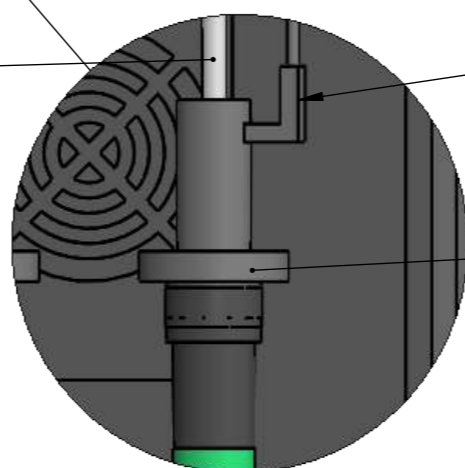
PLANTA

170°max.
apertura

Tubo de vino

Tubo de argón

Rosca para
apretar botella



DATOS TECNICOS

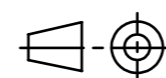
Volumen	15L
Frecuencia	50-60hz
Consumo	0.56(15°C)
Voltaje	220/240-110/115V
Ruido	38db
Humedad interior	>70%RH
Sistema de frío	Termoeléctrico
Botellas	2
Peso	12.2kg
Rango de temperatura	8-18°C

	Date	Name
Design:	03/12/2018	Diego
Checked:		Diego
Modified:		Diego
Scale: 1:10	Part name: VH02NS	
Unit:	Top assembly: VH02NS	

Vinoglass

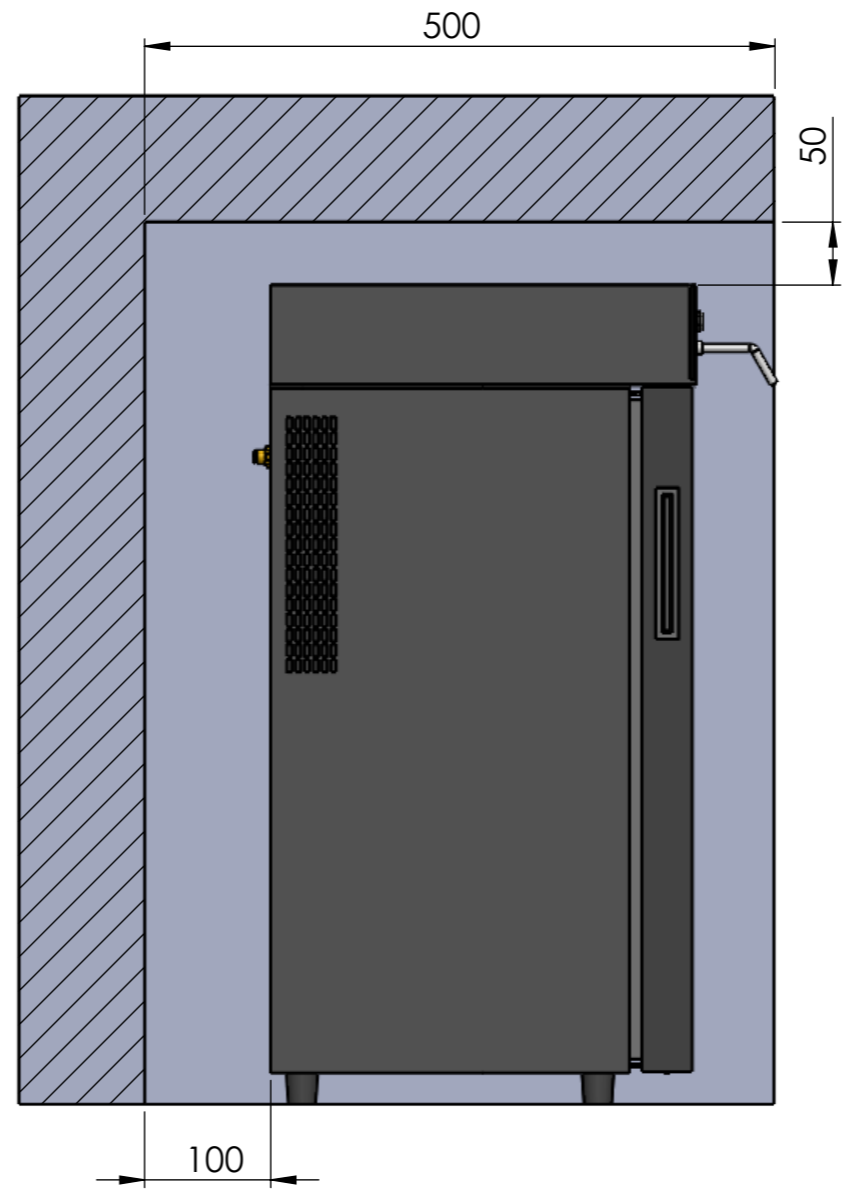
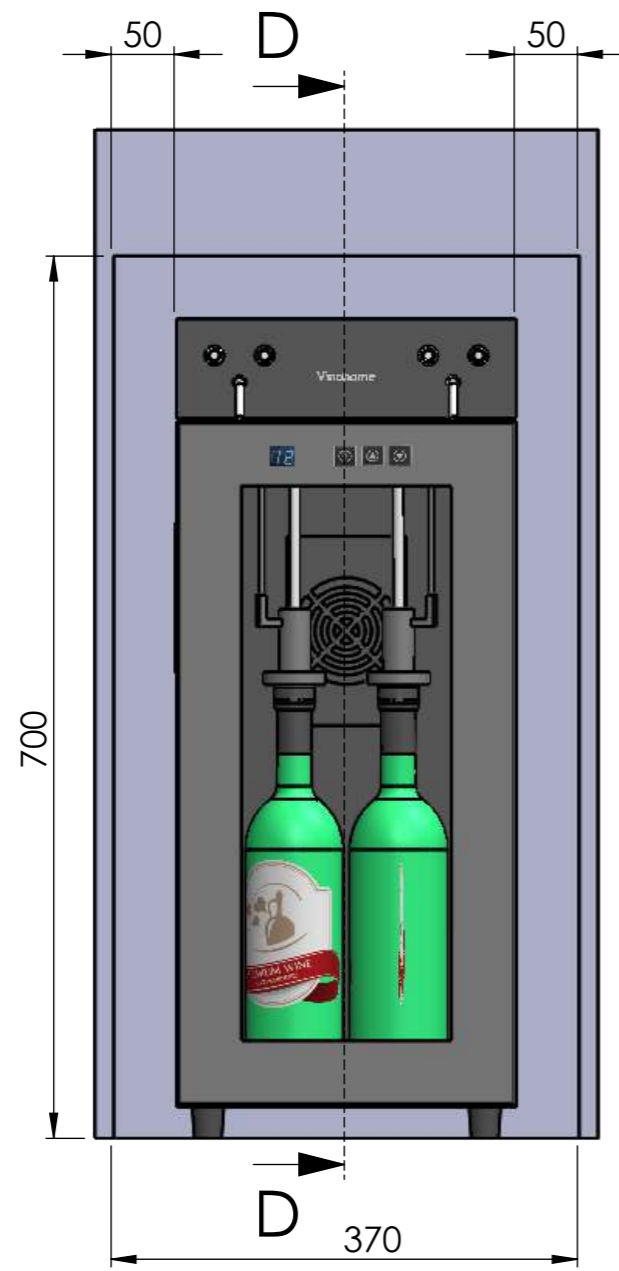
THE INFORMATION CONTAINED IN THIS DRAWING IS THE SOLE PROPERTY OF VINOGLASS. ANY REPRODUCTION IN PART OR AS A WHOLE WITHOUT THE WRITTEN PERMISSION OF VINOGLASS IS PROHIBITED.

Sign:

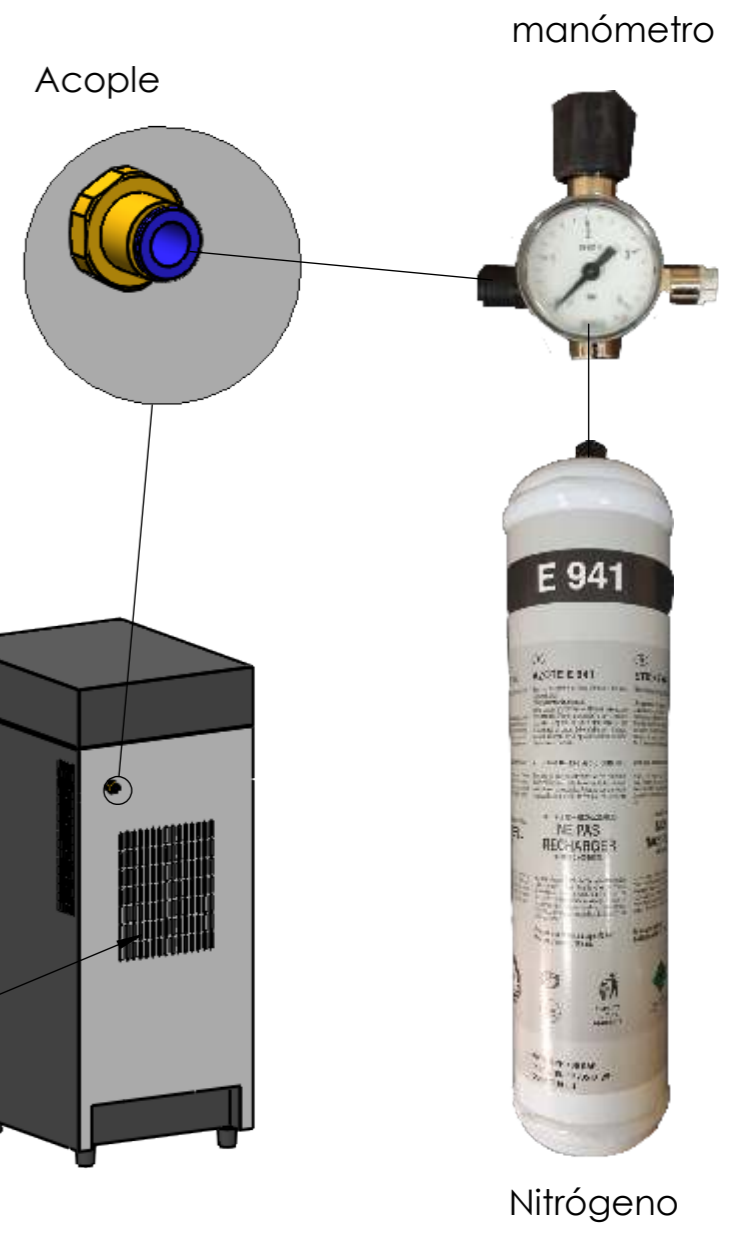


Description:
Dispensador para 2 botellas

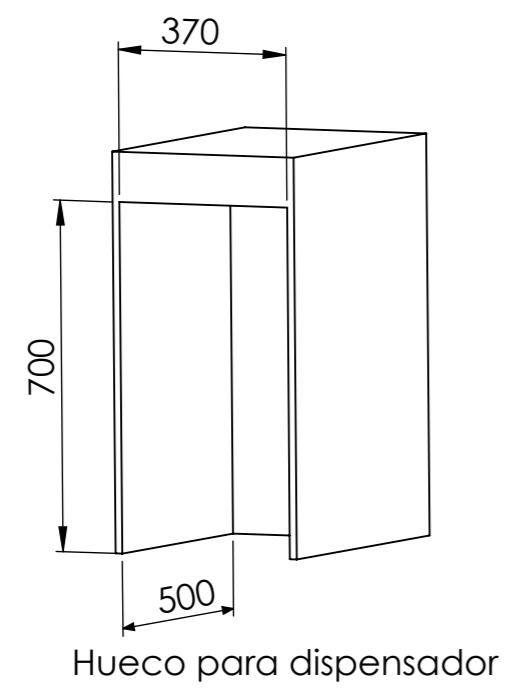
Client:
Material:
Reference: VH02NS
Count:
Pages: 3 OF 4


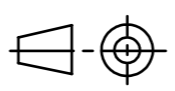


DATOS TÉCNICOS	
Profundidad	500mm
Altura	700
Anchura	50mm por cada lado



Ventilación trasera y lateral



		Date	Name	 <p>THE INFORMATION CONTAINED IN THIS DRAWING IS THE SOLE PROPERTY OF VINOGLASS. I ANY REPRODUCTION IN PART OR AS A WHOLE WITHOUT THE WRITTEN PERMISSION OF VINOGLASS IS PROHIBITED.</p>	
Design:		09/10/2018	Diego		
Checked:			Diego		
Modified:			Diego		
Scale:	1:10	Part name: VH02NS-ENTORNO		Top assembly: CV008ns	Client: Cavanova
Unit:	mm				Material: Varios
		Description:			Reference: VH02NS-ENTORNO
		Empotramiento del equipo (built-in)			Count:
					Pages: 4 OF 4

Sign: